

Please be seated

the main event is about
to begin...

FoldTable®

from GT Trax Ltd



- **Stable**
- **Wheelchair Friendly**
- **Vandal-proof**
- **Quick set up**
- **Comfortable**
- **Hire or buy - call now**

Tel: 01763 252854

Fax: 0870 160 7733

Email: info@gtrax.co.uk

web: www.foldtable.co.uk

NATIONWIDE SERVICE

Foldtable UK

from GT Trax Ltd

Orchard Business Centre

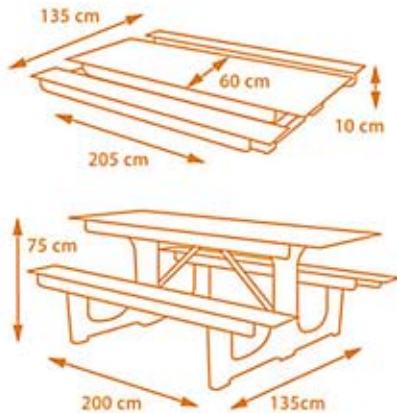
Orchard Road

ROYSTON, SG8 5HD

8 SEATS in just 8 seconds... **FoldTable®**



- Easy to transport
- Compact storage
- Easy to clean
- Long life span
- Elegant design
- Hire or Buy - call now



● Wheelchair users have access at both ends

● Top is wide enough (60cms) for two food/drink trays

● Made from weatherproof birch plywood from managed forests. Tough, easy to clean resin top layer



● Easy to step in and out. Plenty of leg room

● Slightly flexible sub-frame for stability on uneven surfaces, grass or gravel

● No maintenance base, moulded from a single piece of polythene. Smooth surfaces safe for bare feet



Tel: 01763 252854
Fax: 0870 160 7733
Email: info@gttrax.co.uk
web: www.foldtable.co.uk
NATIONWIDE SERVICE
Foldtable UK
from GT Trax Ltd
Orchard Business Centre
Orchard Road
ROYSTON, SG8 5HD